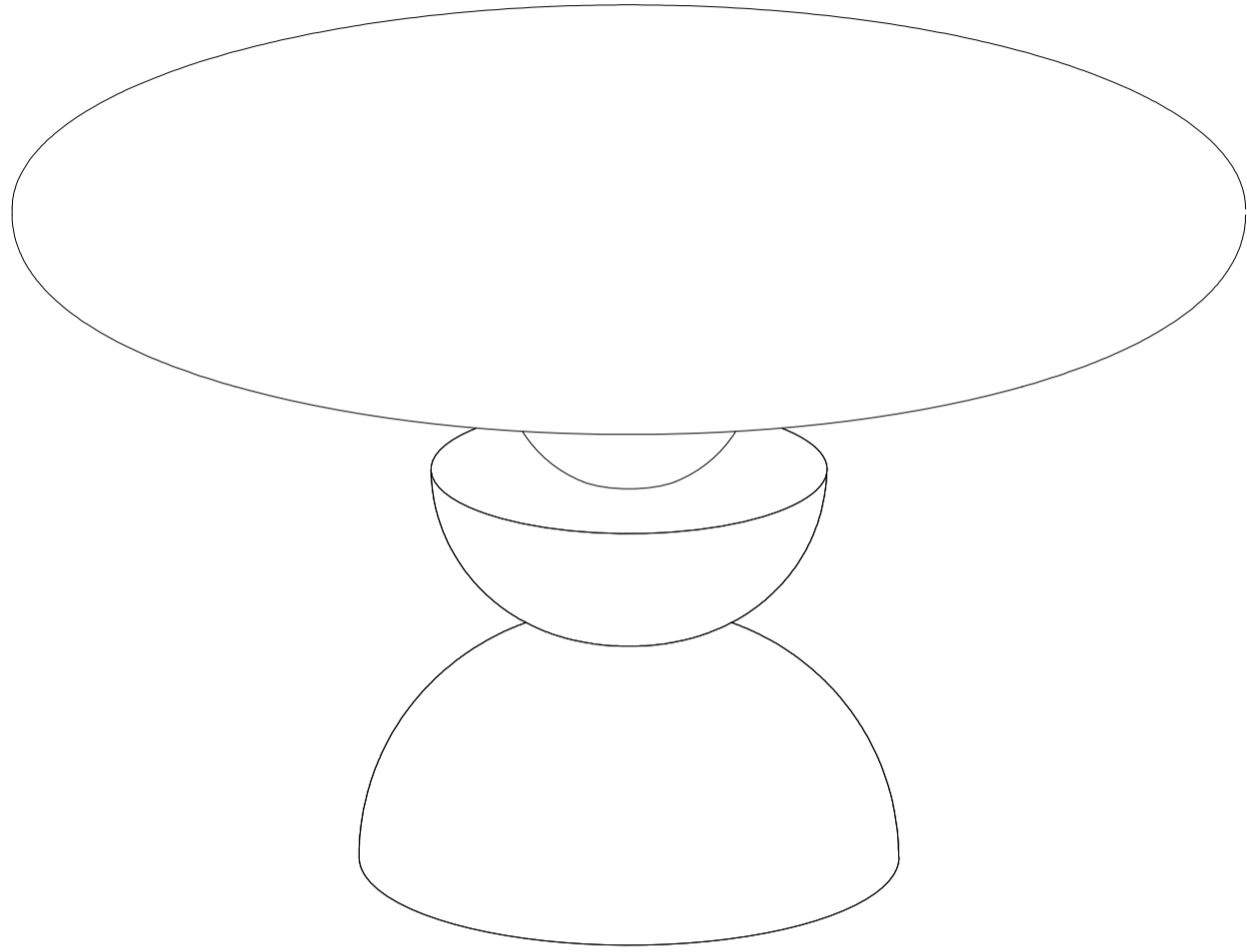





ASSEMBLY INSTRUCTION



NO.:	HARDWARE LIST	Q'TY
A	 40mm	4
B	 $\Phi 25\text{mm}$	4
C		1

